



Acoustic Treatment Pack



TRAP 30S®/ TRAP 30R®

Absorbent Panel

TRAP 30S® and TRAP 30R® are low-frequencies' node reduction tools. They are made of high quality cell controlled, self-extinguishable M1 fire-retardant acoustic foam.

Bass corners' absorbers are substantially adequate to control nodes in the rooms. This simple and affordable solution provides immediate results for those who do not want time-consuming building solutions. TRAP 30S® and TRAP 30R® are effective low frequency smoothing panels at a price affordable to everybody.

This model proposes two optional shapes: one with straight lines and one with curved lines. Choose the shape that is most suitable to your room.

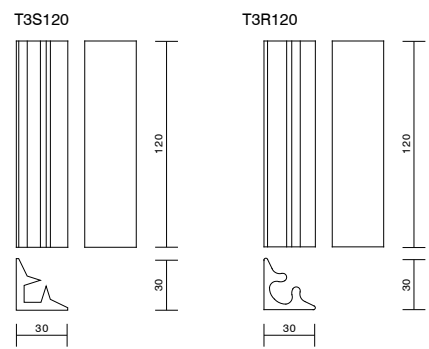
Features:

- NRC average: 0.87 / m2.
- Self-extinguishable M1 fire-retardant acoustic foam.
- Package: 4 units.
- In stock for immediate delivery.
- Very easy to install.
- Contact us for information on applications.

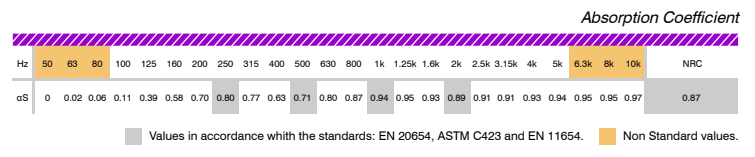
Package Data:

Image	T3S120				T3R120			
	H	W	D	Kg	H	W	D	Kg
	124 cm	64 cm	30 cm	6.2	124 cm	64 cm	30 cm	6.2

Technical Drawing:



Values:



Model Sizes:

	H	W	D	Kg
T3S120	120 cm	30 cm	30 cm	0.9
T3R120	120 cm	30 cm	30 cm	0.9

Graphic:

